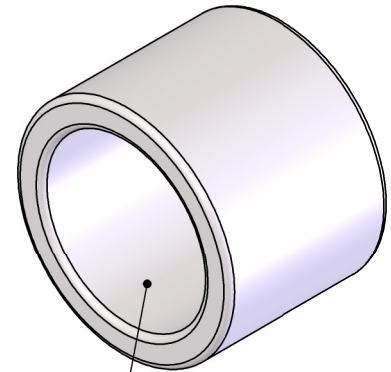


D-D



p-1107-3697

General radius = 0.5

Provisional

C						
B						
A	21/08/15	Original		PDB		
Rev.	Date	Description		Signed	Control	Custom. Approved

Material : 1.0037 (S235JR)	Dim. : 15 x20/15x	Th:	Mass:0.02	kg	QTY: 2
Treatment : draaien	Detail :	Class1 : Flowpacker			
Code - Supplier :		Class2 : Feederconnector			
Title : Feeder connector /					



PROFESSIONAL CAD SOLUTIONS  
 INFO@3DCADWORKS.BE

Client id:	
Draw: p-1107-3697	
Part: p-1107-3697	
	alg. tol. DIN/ISO 2768-mK
Unit : mm	Page : 1/1
Format : A4	Scale : 3:1

printing date: 21/08/2015